



Description

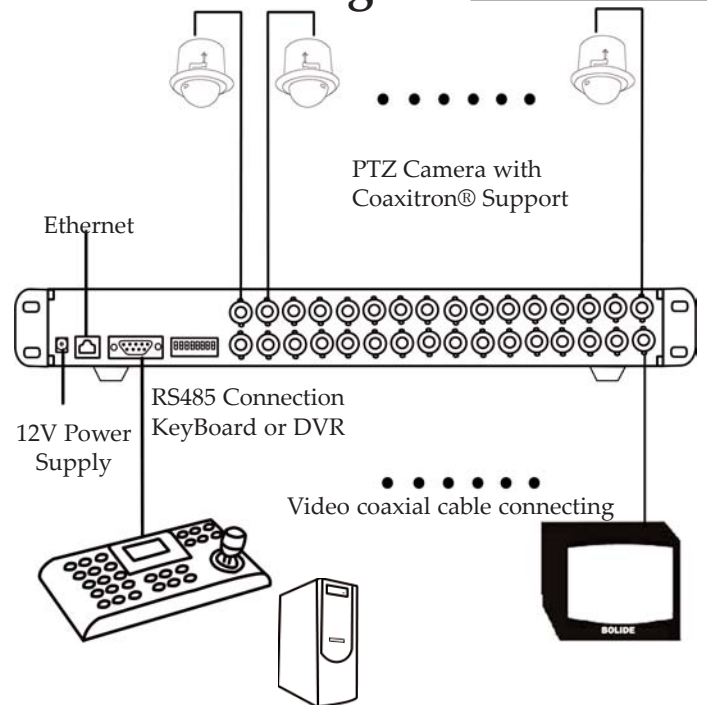
AD-3016 coaxial converter is another newly developed converter with high performances, multi-function and extendibility. With built-in high performance CPU module and Ethernet ports, it can execute the quick transfer of single distributor control data to interior coaxial video modules.

Every distributor has 16 ports to distribute 16 front end device address. The system allows 16 distributors parallel working to support $16 \times 16 = 256$ front end devices.

Features

- 16 coaxial ports (BNC), support receiving and transmitting
- Control input port: RS232, RS485/RS422, Manchester/BI-Phase and Ethernet.
- Support multi-protocol input through DIP settings
- Support 4800bps, 9600bps, 192000bps and 38400bps
- Communication port with 120 resistance jumper
- 400 W video thunder proof

Installation Diagram



Specification

Supply Voltage	DC 12V ± 20%
Power	< 3W
Weight	2 kg
Receiving Controlling Mode	RS485/RS422/Manchester/BI-PHASE
Receiving Baud Rate (RS485/RS232)	4800/9600/19200/38400 BPS
Receiving Baud Rate (Manchester/BI-Phase)	32 KBPS
Transmitting Mode	Coaxial Video, Coaxitron®
Farthest Transmitting Distance	300m
Environmental Temperature	-20°C ~ 60°C
Dimensions	482 x 160 x 48.5 (mm)