

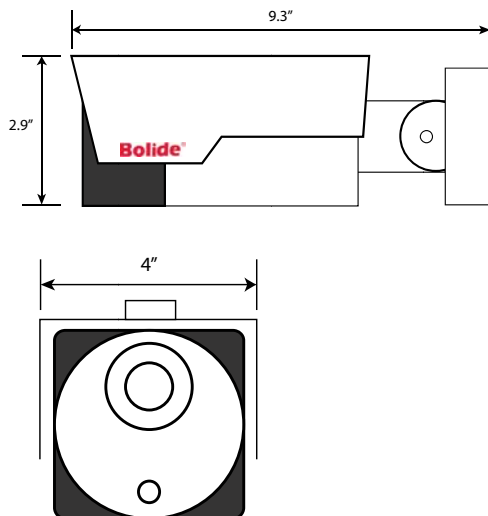
iPacNX
THE NEXT GENERATION



HIGHLIGHTS

- 1/3" Progressive Scan CMOS
- Compression H.265 / H.264
- Built-In POE
- IR Distance up to 200 ft.
- 2.8 - 12mm Motorized Lens
- SD Card slot
- 2 Way Audio
- Alarm In / Out

DIMENSIONS



The new iPac NX series features up to 4 Mega Pixels of stunning Ultra HD resolution combined with the Next Generation of compression standards - High Efficiency Video Coding (HEVC / H.265)- which allows for bitrates nearly half those of other cameras utilizing older H.264 compression technology. The iPac NX series offers double the storage and half of the bandwidth requirements without sacrificing resolution or frame rate. With options including Edge recording, alarm input/output, audio input/output and motorized lenses, the iPac NX series is perfect for any application.

| MECHANICAL SPECIFICATIONS | |
|---------------------------|---|
| Image Sensor | 1/3" Progressive Scan CMOS |
| Minimum Illumination | 0.01Lux @(F1.2,AGC ON), 0.028Lux @(F1.2,AGC ON), 0 Lux with IR |
| Shutter Speed | 1/5 s - 1/20,000 s |
| Lens Type | 2.8 - 12mm |
| Lens Mount | M12 / M14 |
| Day and Night | IR Cut Filter with Auto Switch |
| Dynamic Range | Wide Dynamic Range |
| Digital Noise Reduction | 2D / 3D DNR |
| COMPRESSION | |
| Video Compression | H.265 / H.264 / MJPEG |
| Image Resolution | Up to 4MP (2592 X 1520) |
| Video Bit Rate | 256K-8M |
| IMAGE | |
| Frame Rate | 4MP (2592 X 1520) @ 20fps 3MP (2048 x 1536) @ 30fps 2MP 1296P (2304 x 1296) @ 30fps 1080P (1920 x 1080) @ 30fps 720P (1280 x 720) @ 30fps - 960H (1280 x 960) Substream @ 30 fps D1 (704 x 480) - VGA (640 x 480) - QVGA (320 x 240) @30 fps Mobilestream @ 10 fps QVGA (320 X 240) - @1-30 fps |
| Image Settings | Rotate Mode, Saturation, Brightness, Contrast, Sharpness, and adjustable browser |
| Day and Night Switch | Auto / Schedule / Triggered by Alarm In |
| INTERFACE | |
| System Compatibility | ONVIF 2.4, RSPS |
| Interface | 1 RJ45 10M / 100M Ethernet Interface |
| IR Distance | Up to 200 ft. |
| POE | Built-In POE |
| Security | Flash-Prevention, Dual Stream, Heartbeat, Mirror, Password Protection, Privacy Mask, IP Address Filtering |
| ELECTRICAL | |
| Power Supply | 12 VDC ± 10%, POE (802.3af) |
| Power Consumption | Max. 5 W (Max. 7W with IR cut filter on) |
| Operating Temp. | -22 °F - 140 °F Humidity 95% or less (non-condensing) |
| PHYSICAL | |
| Dimensions | 9.3" x 2.9" x 4" |
| Net Weight | 1.43 lbs. |
| Weather-Rating | IP66 Rated |