

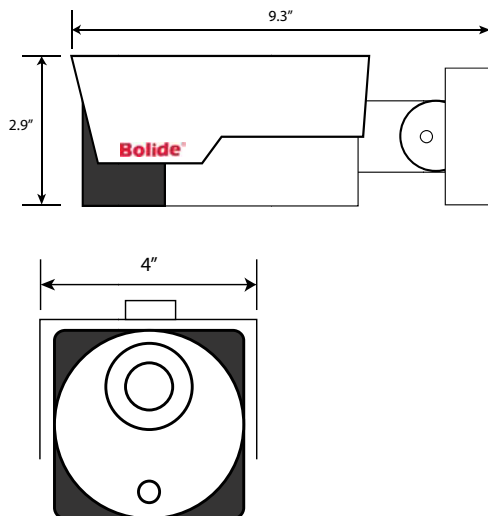
iPacNX
THE NEXT GENERATION



HIGHLIGHTS

- 1/3" Progressive Scan CMOS
- Compression H.265 / H.264
- Built-In POE
- IR Distance up to 200 ft.
- 2.8 - 12mm Motorized Lens
- SD Card slot
- 2 Way Audio
- Alarm In / Out

DIMENSIONS



The new iPac NX series features up to 4 Mega Pixels of stunning Ultra HD resolution combined with the Next Generation of compression standards - High Efficiency Video Coding (HEVC / H.265)- which allows for bitrates nearly half those of other cameras utilizing older H.264 compression technology. The iPac NX series offers double the storage and half of the bandwidth requirements without sacrificing resolution or frame rate. With options including Edge recording, alarm input/output, audio input/output and motorized lenses, the iPac NX series is perfect for any application.

MECHANICAL SPECIFICATIONS	
Image Sensor	1/3" Progressive Scan CMOS
Minimum Illumination	0.01Lux @(F1.2,AGC ON), 0.028Lux @(F1.2,AGC ON), 0 Lux with IR
Shutter Speed	1/5 s – 1/20,000 s
Lens Type	2.8 – 12mm
Lens Mount	M12 / M14
Day and Night	IR Cut Filter with Auto Switch
Wide Dynamic Range	120DB
Digital Noise Reduction	2D / 3D DNR
COMPRESSION	
Video Compression	H.265 / H.264 / MJPEG
Image Resolution	Up to 4MP (2592 X 1520)
Video Bit Rate	256K-8M
IMAGE	
Frame Rate	4MP (2592 X 1520) @ 20fps 3MP (2048 x 1536) @ 30fps 2MP 1296P (2304 x 1296) @ 30fps 1080P (1920 x 1080) @ 30fps 720P (1280 x 720) @ 30fps - 960H (1280 x 960) Substream @ 30 fps D1 (704 x 480) - VGA (640 x 480) - QVGA (320 x 240) @30 fps Mobilestream @ 10 fps QVGA (320 X 240) - @1-30 fps
Image Settings	Rotate Mode, Saturation, Brightness, Contrast, Sharpness, and adjustable browser
Day and Night Switch	Auto / Schedule / Triggered by Alarm In
INTERFACE	
System Compatibility	ONVIF 2.4, RSSP
Interface	1 RJ45 10M / 100M Ethernet Interface
IR Distance	Up to 200 ft.
POE	Built-In POE
Security	Flash-Prevention, Dual Stream, Heartbeat, Mirror, Password Protection, Privacy Mask, IP Address Filtering, SRTP
ELECTRICAL	
Power Supply	12 VDC ± 10%, POE (802.3af)
Power Consumption	Max. 5 W (Max. 7W with IR cut filter on)
Operating Temp.	-22 °F - 140 °F Humidity 95% or less (non-condensing)
PHYSICAL	
Dimensions	9.3" x 2.9" x 4"
Net Weight	1.43 lbs.
Weather-Rating	IP67 /IK10 Rated