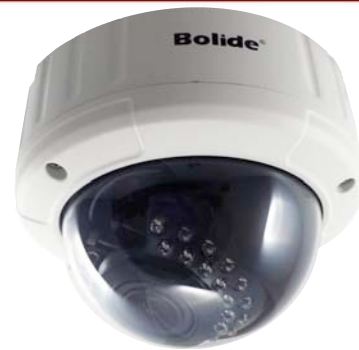


- 1/4" SONY 1.0 MEGAPIXEL
- 720p RESOLUTION
- 30PCS IR LEDS, 20M DISTANCE
- 2.8-12mm LENS
- METAL CASE
- ON SCREEN DISPLAY


Angelo
HD


PRODUCT DESCRIPTION

Bolide's New High Definition over Coax series of cameras delivers HD 720P quality over coaxial cable utilizing a 1 megapixel SONY sensor. These HD cameras can utilize existing infrastructure and deliver quality that is far superior to traditional analog CCTV with a cost effective solution to upgrade your analog system to an HD quality product. Besides, these cameras are really convenient with HD/960H switch option, a great feature for the customers still looking to buy analog solutions.

Angelo HD cameras deliver very detailed high definition images with no compression artifacts or transmission-related delays. Angelo HD line of cameras can be easily integrated into an existing 960H/D1 system making this product not only an upgrade in image quality but an easy smooth transition into a complete HD system.

CAMERA CHARACTERISTICS

SIGNAL SYSTEM	NTSC / PAL
SENSOR	1/4" SONY 1.0MP
DSP	Next Chip
ACTIVE PIXEL	1280*720
RESOLUTION	720P
LENS	2.8-12mm Lens
VIDEO.OUT	BNC
SENSIBILITY	0 Lux with I.R
GAMA	0,45
ELECTRIC SHUTTER	1/50s-1/50000s
S/N RATIO	50dB(min)(AGC closed)
WHITE BALANCE	ATW
AGC	AUTO
BLC	AUTO
DIMENSIONS	137.5mm Φ 104mm(H)

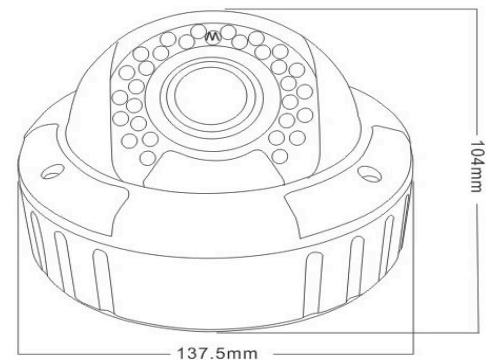
ON SCREEN DISPLAY

Digital Wide Dynamic Range	Yes
3D-Digital Noise Reduction	Yes
Masking	Yes
Mirror Image	4 Privacy Zones Configurable
Multi Language	Eng, Spa, Por, Tur, Pol, Chi

CASE MATERIAL

CASE MATERIAL	Metal
CERTIFICATIONS	
CE	Yes
FCC	Yes
RoHS Compliant	Yes

General Dimensions



ENVIRONMENTAL

OPERATION TEMPERATURE	Temperature -10°C ~ +60°C, Humidity less than 85%RH -40C when powered ON
------------------------------	--

IR ILUMINATION

IR LEDs	30 PCS
IR DISTANCE	20M

POWER

POWER INPUT	DC12V \pm 1V
POWER DISSIPATION	70mA