

- 1/4" SONY 1.0 MEGAPIXEL
- 720p RESOLUTION
- 24 PCS IR LEDS, 20M DISTANCE
- 3.6mm LENS
- METAL CASE
- ON SCREEN DISPLAY


**Angelo  
HD**

### PRODUCT DESCRIPTION



Bolide's New High Definition over Coax series of cameras delivers HD 720P quality over coaxial cable utilizing a 1 megapixel SONY sensor. These HD cameras can utilize existing infrastructure and deliver quality that is far superior to traditional analog CCTV with a cost effective solution to upgrade your analog system to an HD quality product. Besides, these cameras are really convenient with HD/960H switch option, a great feature for the customers still looking to buy analog solutions.

Angelo HD cameras deliver very detailed high definition images with no compression artifacts or transmission-related delays. Angelo HD line of cameras can be easily integrated into an existing 960H/D1 system making this product not only an upgrade in image quality but an easy smooth transition into a complete HD system.

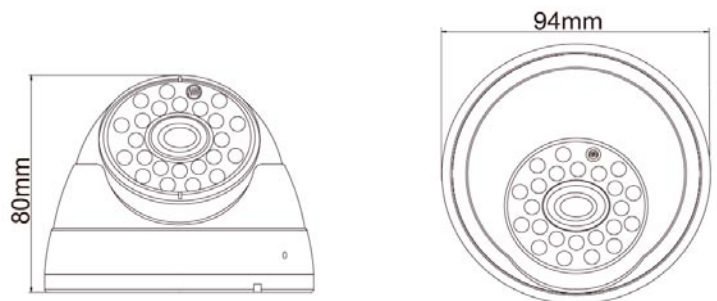
#### CAMERA CHARACTERISTICS

<b>SIGNAL SYSTEM</b>	NTSC / PAL
<b>SENSOR</b>	1/4" SONY 1.0MP
<b>DSP</b>	Next Chip
<b>ACTIVE PIXEL</b>	1280*720
<b>RESOLUTION</b>	720P
<b>LENS</b>	3.6mm Lens
<b>VIDEO.OUT</b>	BNC
<b>SENSIBILITY</b>	0 Lux with I.R
<b>GAMA</b>	0,45
<b>ELECTRIC SHUTTER</b>	1/50s-1/50000s
<b>S/N RATIO</b>	50dB(min)(AGC closed)
<b>WHITE BALANCE</b>	ATW
<b>AGC</b>	AUTO
<b>BLC</b>	AUTO
<b>ON SCREEN DISPLAY</b>	Yes
Digital Wide Dynamic Range	Yes
3D – Digital Noise Reduction	Yes
Masking	Yes
Mirror Image	Yes
Multi Language	Yes
<b>DIMENSIONS</b>	94mmΦ 80mm (H)

#### CERTIFICATIONS

<b>CE</b>	Yes
<b>FCC</b>	Yes
<b>RoHS Compliant</b>	Yes

#### General Dimensions



#### ENVIRONMENTAL

<b>WEATHERPROOF</b>	Yes IP66
<b>OPERATION TEMPERATURE</b>	Temperature -10°C ~ +60°C, Humidity less than 85%RH -40C when powered ON

#### IR ILLUMINATION

<b>IR LEDs</b>	24 PCS
<b>IR DISTANCE</b>	20M

#### POWER

<b>POWER INPUT</b>	DC12V±1V
<b>POWER DISSIPATION</b>	70mA